



Aries LED Flood light of High Bay is excellent in energy efficiency, it has thinner body and more elegant appearance than the normal standard flood light. The biggest advantage of this lamp: One lamp with different usage, which can help customers to reduce the stock pressure.

## Key Applications

- Stadiums Lighting
- Landscape Lighting
- Industrial Lighting
- Street Lighting

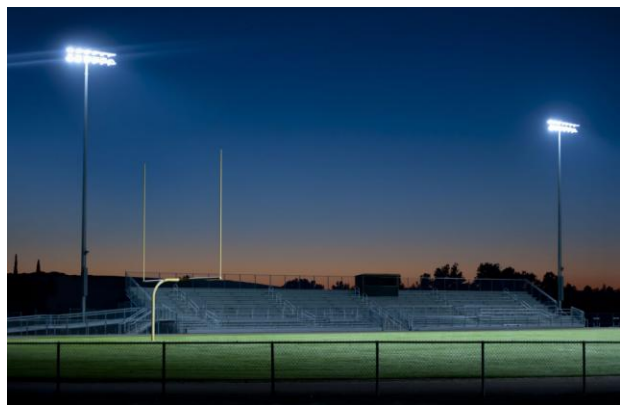
## Compliance

IP65  
CE/CB  
ENEC  
SAA

## Working Shop Show

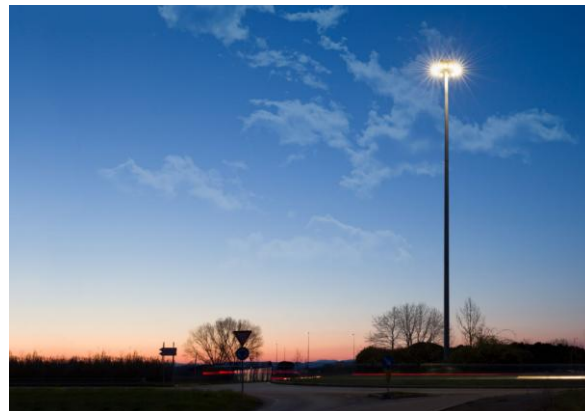
Stadiums Area

Street Lighting



## Specifications

Model	SV-FL-100W	SV-FL-150W	SV-FL-200W	SV-FL-240W
Product Size	459*315*72.5MM	499*350*75MM	528*375*76.5MM	528*375*76.5MM
Power(W)	100W	150W	200W	240W
Luminous Flux(LM)	16000LM	24000LM	32000LM	38400LM
Efficacy(LM/W)	160LM/W	160LM/W	160LM/W	160LM/W
Power Supply Brand	MEANWELL XLG	MEANWELL XLG	MEANWELL XLG	MEANWELL XLG
LED Brand	Lumileds	Lumileds	Lumileds	Lumileds
Input Voltage	AC100-305V	AC100-305V	AC100-305V	AC100-305V
Light Distribution/ Beam Angle	60° /90° /120°	60° /90° /120°	60° /90° /120°	60° /90° /120°
Colour Index(Ra)	>80	>80	>80	>80
Dimmable	Optional(0-10V)or(Dali dimming)			
Colour Temperature(K)	(Typical 4000K/5000K/5700K)			
Lifetime(Hr)	50,000 Hours			
Certificate	TUV-CE,ROHS,CB,ENEC			
Warranty	5 Years			
Operating Temperature	-25°C ~50°C			

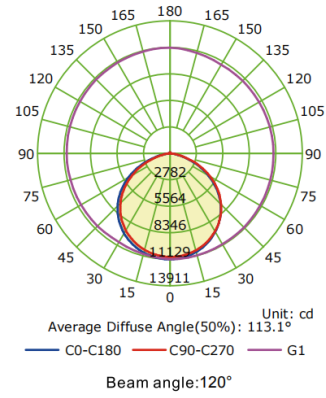
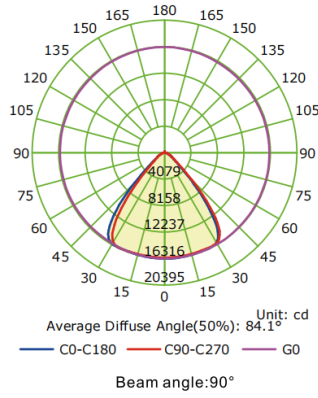
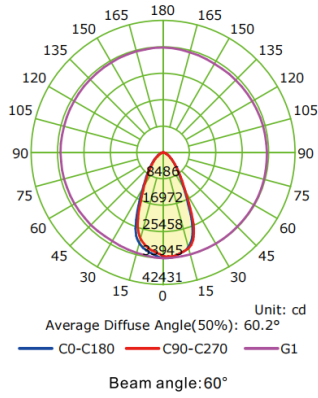


# ARIES® Series

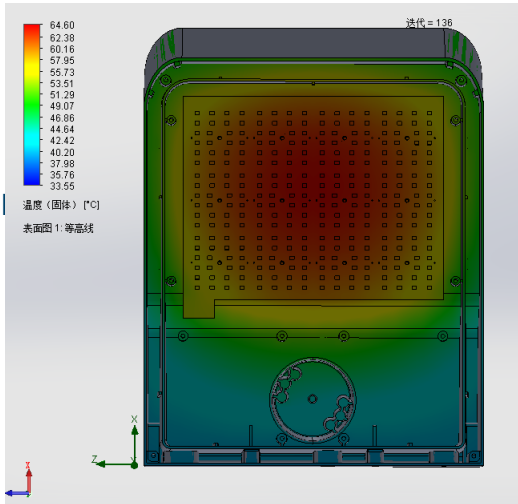
LED Floodlight

Photometry:

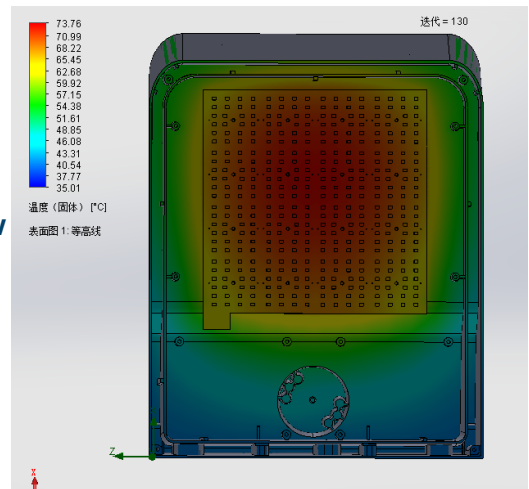
## Illuminance Charts



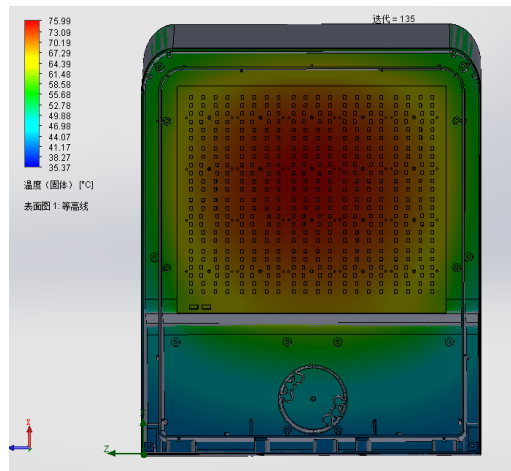
Temperature Testing:



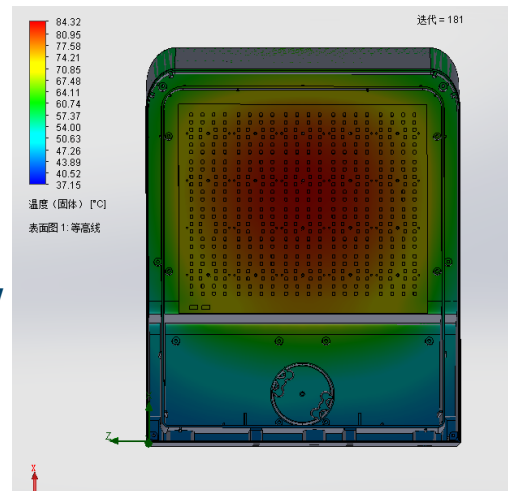
100w



150w



200w



240w

Sunovo lighting

Add: No.7 Lizheng Road, Jiashan City, Zhejiang Province, CN  
Web: www.sunovolight.com

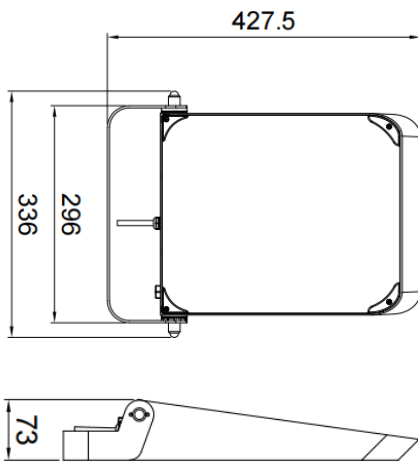
Phone: +86-0573-84182266  
Email: sales@sunovolight.com

# ARIES® Series

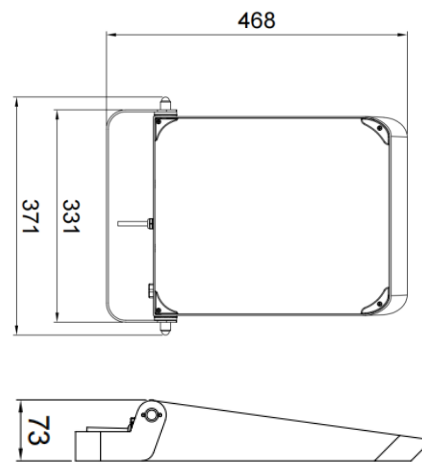
LED Floodlight

## Product Dimension:

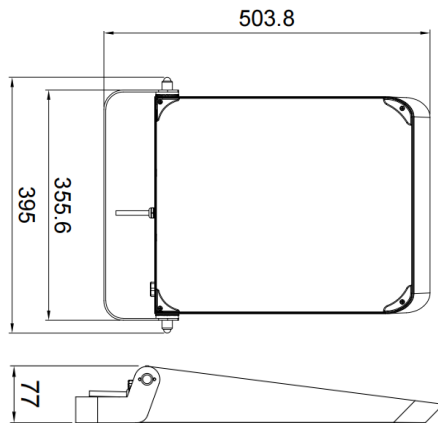
100w



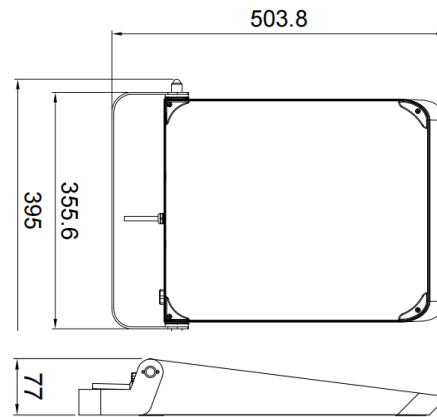
150w



200w



240w



# ARIES® Series

LED Floodlight

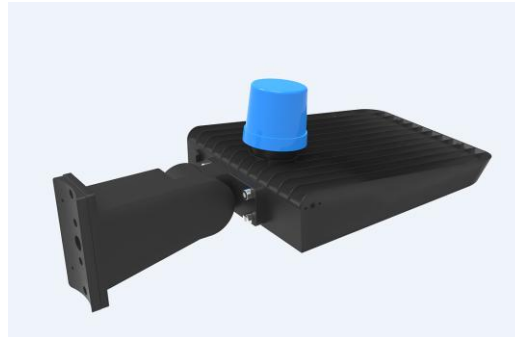
Different Functions:

---

Normal Standard



3 in ONE fixture + Daylight Sensor



Normal Standard with Lens



Normal Standard with Lens + motion sensor



Street Lamp Head + Daylight sensor



Street Lamp Head + Daylight sensor

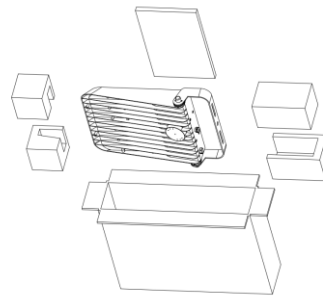
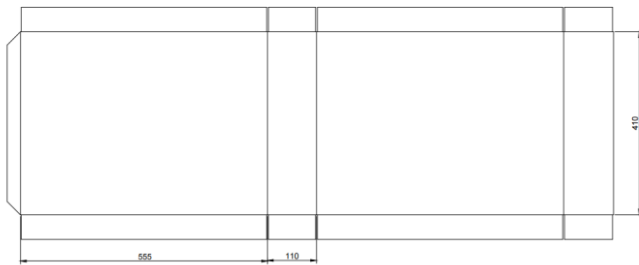
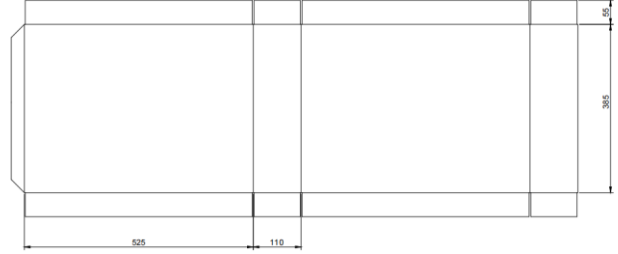
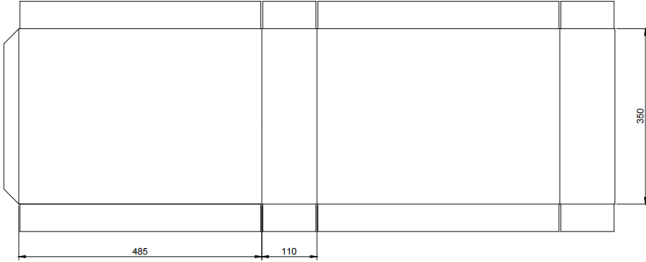



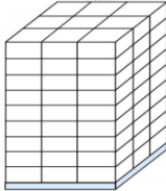

# ARIES® Series

LED Floodlight

Packaging information:

## Out carton



Dimension		Carton Size	Pallet Size	Container Size
Packing Pictures				
Type		Single Unit Box	Pallet	20ft Container-Palletized
Quantity		1	/	/
Dimension(mm)	100W	260*260*150MM	1050*1050*1950mm / 192 pcs	2600 pcs
	150W	315*315*155MM	1250*1000*2000mm / 144 pcs	1600pcs
	200W	370*370*155MM	1100*1100*2000mm / 108 pcs	1300pcs
NET(kg)	100W	1.7kg	326kg	/
	150W	2.0kg	280kg	/
	200W	2.5kg	270kg	/
GWT(kg)	100W	2.1kg	403kg	/
	150W	2.5kg	360kg	/
	200W	3.1kg	335kg	/
CBM	100W	0.01CBM	2.15CBM	/
	150W	0.02CBM	2.5CBM	/
	200W	0.02CBM	2.42CBM	/

Sunovo lighting

Add: No.7 Lizheng Road, Jiashan City, Zhejiang Province, CN

Web: [www.sunovolight.com](http://www.sunovolight.com)

Phone: +86-0573-84182266

Email: [sales@sunovolight.com](mailto:sales@sunovolight.com)